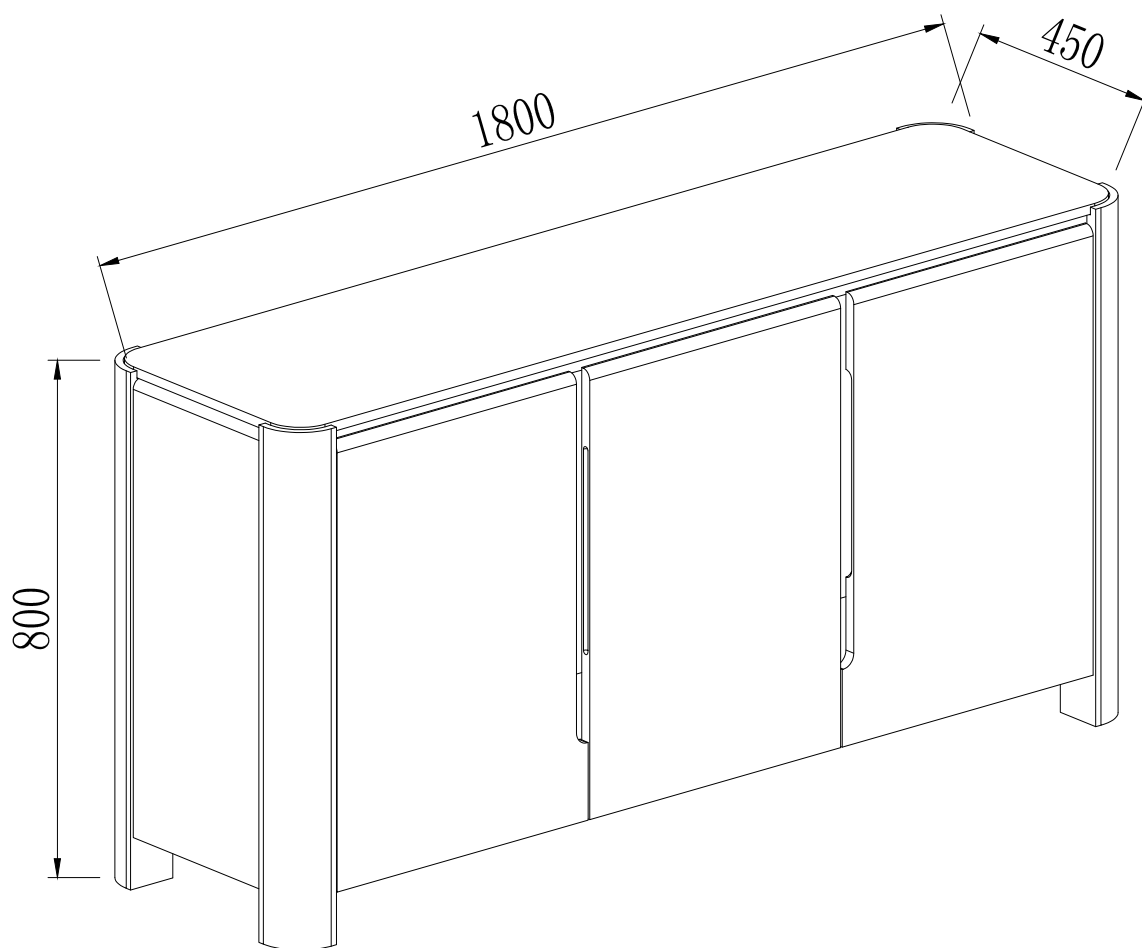




ASSEMBLY INSTRUCTION
LINUS BUFFET
ITEM CODE 85116

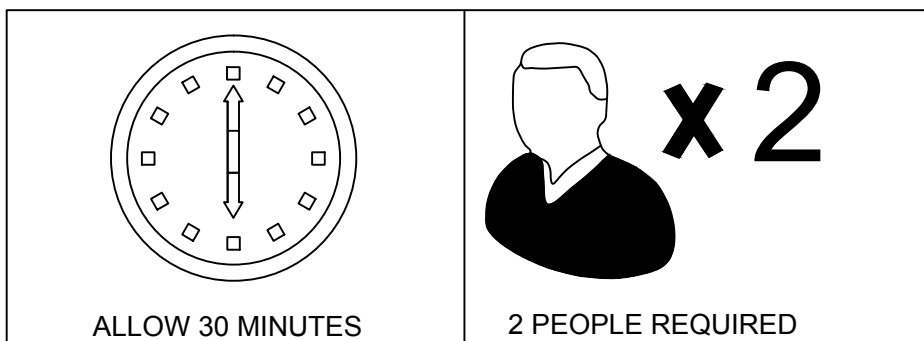


Imported by Amart Furniture Pty Ltd. Qld. Brisbane Australia.
For any assistance with assembly or for missing parts please phone Amart Furniture
Customer Service Free call 1800 351 084

PRE-ASSEMBLY PREPARATION

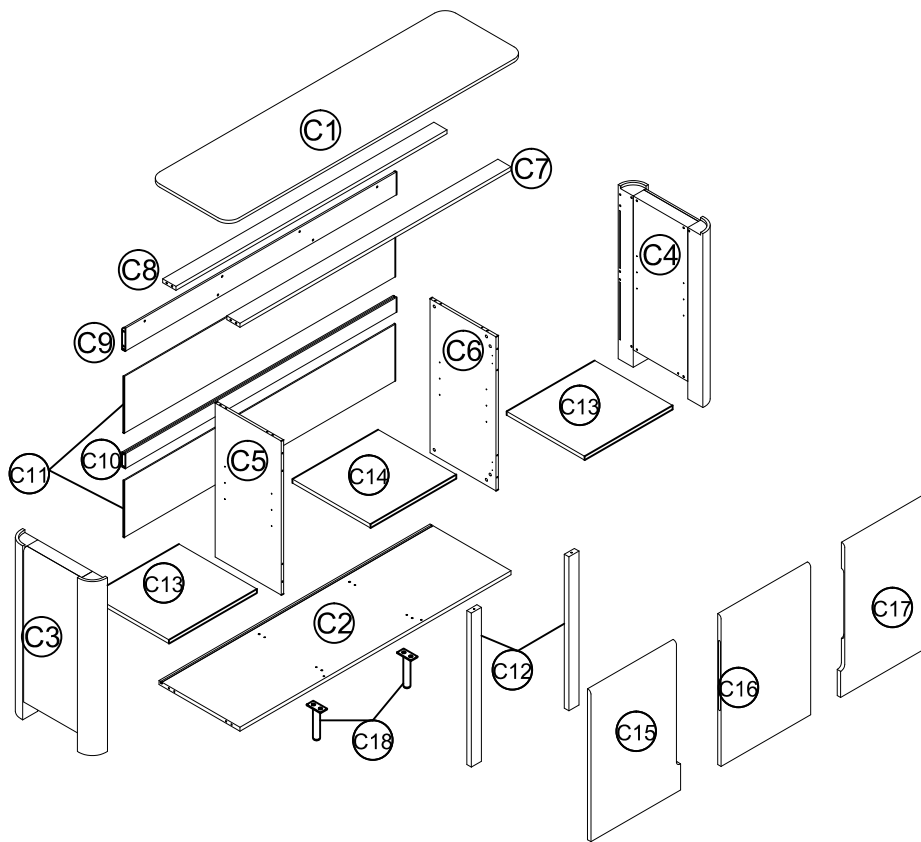
Before you start:

1. Choose a clean, level, spacious assembly area. Avoid hard surfaces that may damage the product
2. Take care when lifting. Product should be assembled as near as possible to the point of use
3. Ensure that you have all required contents for complete assembly.
4. Always read the assembly instructions carefully before beginning assembly.
5. Keep all hardware parts and packaging out of reach of small children.
6. Do not over tighten the screws and bolts as this may damage the threads


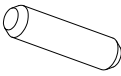
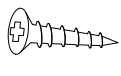
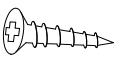
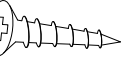

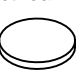
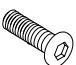




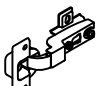
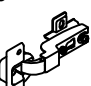



⚠ WARNING		
		<p>Children have died from furniture tipover.</p> <ul style="list-style-type: none">• ALWAYS secure it with an anchor device.• NEVER allow children to stand, climb or hang on drawers, doors, or shelves.• NEVER open more than one drawer at a time.• Place heavy items down low <p>NEVER put a TV on this furniture </p> <p>This is a permanent label. Do not remove!</p>

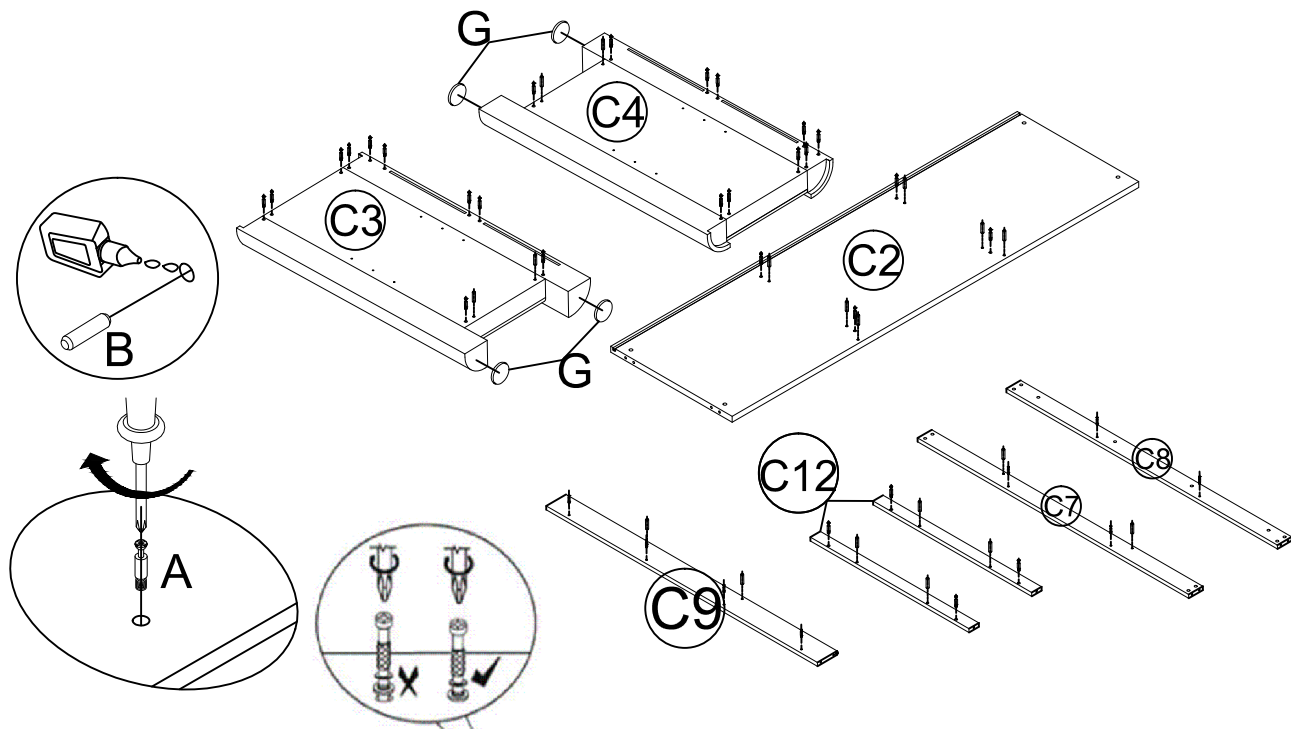
PARTS LIST



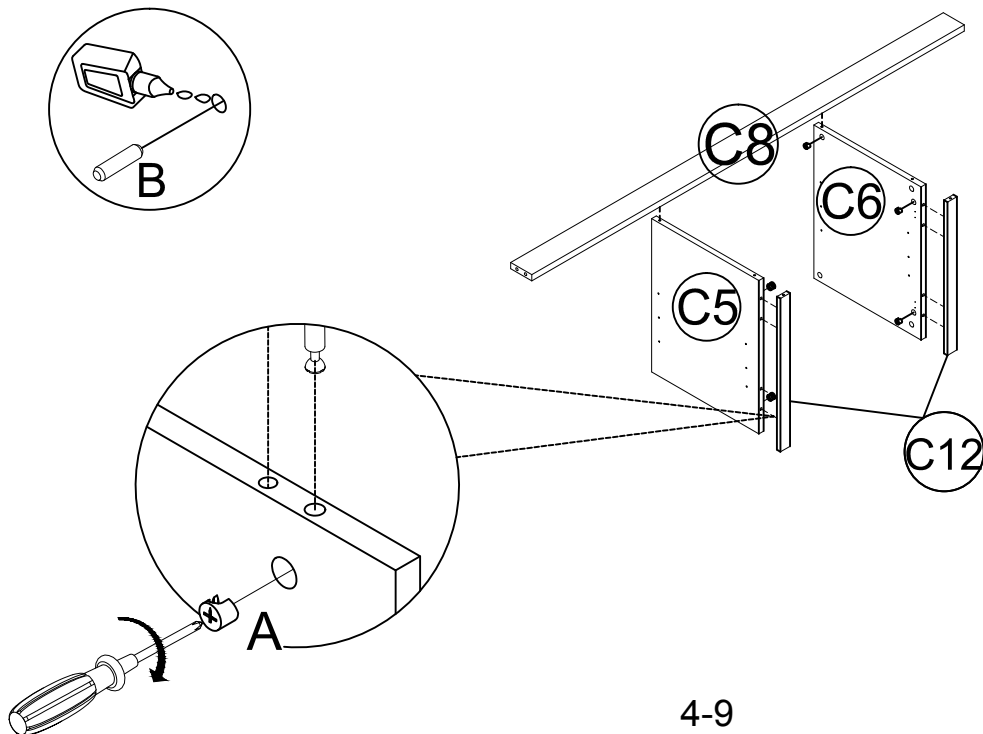
C1	Top Panel	C10	Back Rail
C2	Bottom Panel	C11	Back Panel
C3	Left Side Panel	C12	Support Rail
C4	Right Side Panel	C13	Shelf Panel
C5	Support Panel	C14	Shelf Panel
C6	Support Panel	C15	Door Panel
C7	Connect Panel	C16	Door Panel
C8	Connect Panel	C17	Door Panel
C9	Back Rail	C18	Leg

A. Cam lock and Cam pin Ø15X35  36PCS	B. Dowel Ø8x30  16PCS	C. Screw Ø3x18  12PCS	D. Screw Ø4x14  36PCS	E. Screw Ø4x45  4PCS	F. Connector 18x16x10  12PCS	G. Ø35X5 Protect foam  4PCS
H. Bolt M6x14  4PCS	I. Safety Bracket Kit  2PCS	J. Glue  1PCE	K. Anti-collision Sticker  6PCS	L. Shelf supportor  12PCS	M. Hinge  4PCS	N. Hinge  2PCS
O. Hex key M4  1PCE						

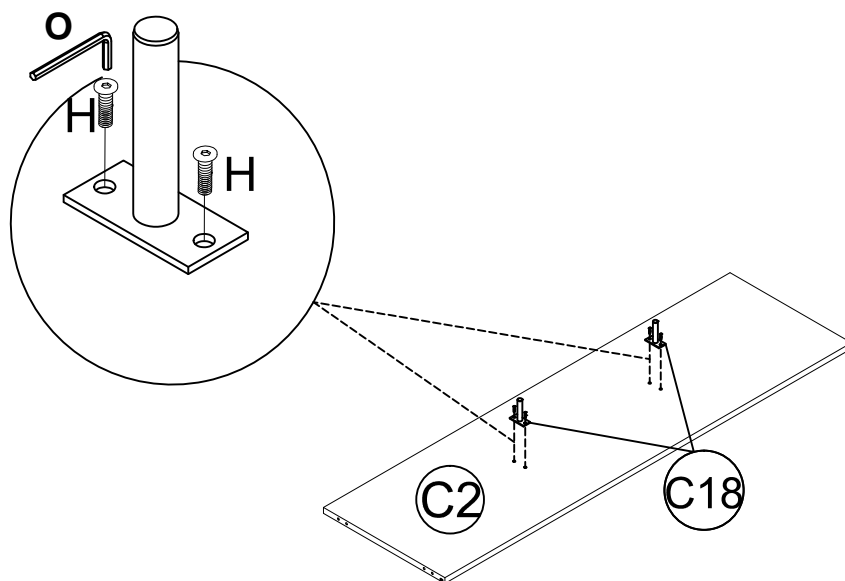
STEP 1: Use Phillips Head Screwdriver to insert the Cam Pin(A) to the Bottom Panel(C2) and Left side Panel(C3) and Right Side Panel(C4) and Connect Panel(C7&C8) and Back rail(C9) and Support Rail(C12), Insert the Dowel(B) to the Panel (C2 C3,C4) with Gule (J).Stick the Protect foam(G) to the Panel(C3&C4).



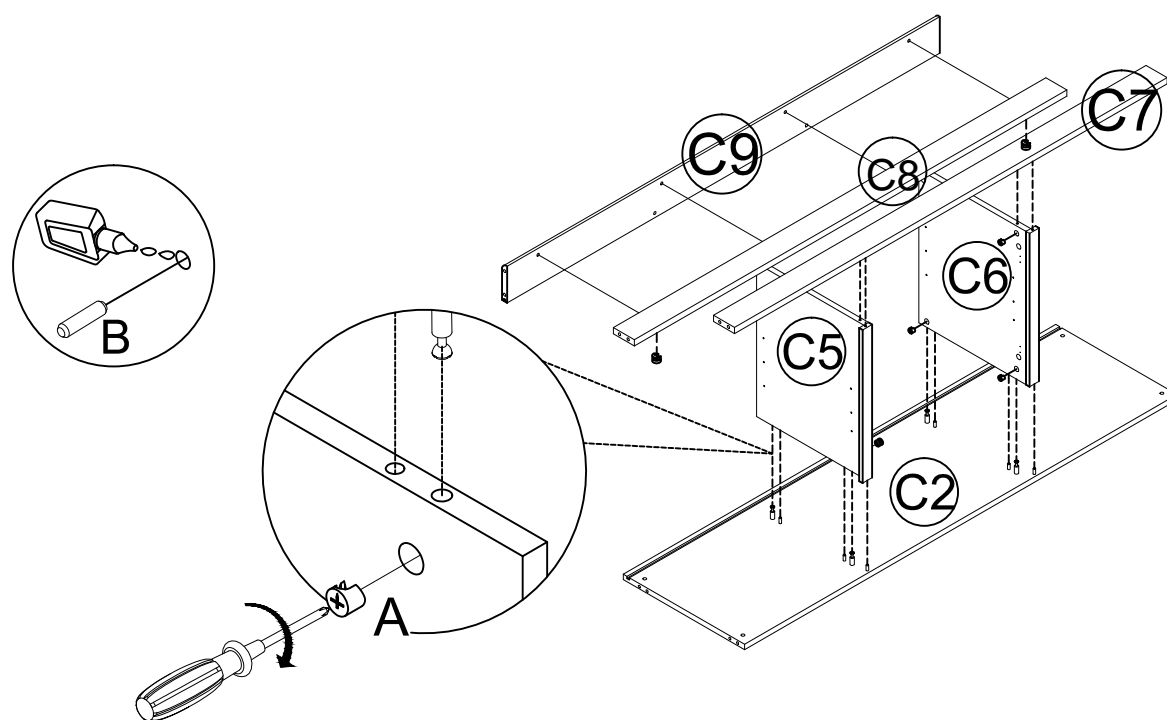
STEP 2: Attach Panel(C5&C6) to Connect Panel(C8) and Support Rail(C12). And turn Cam lock(A) to lock into the head of Cam Pin(A).



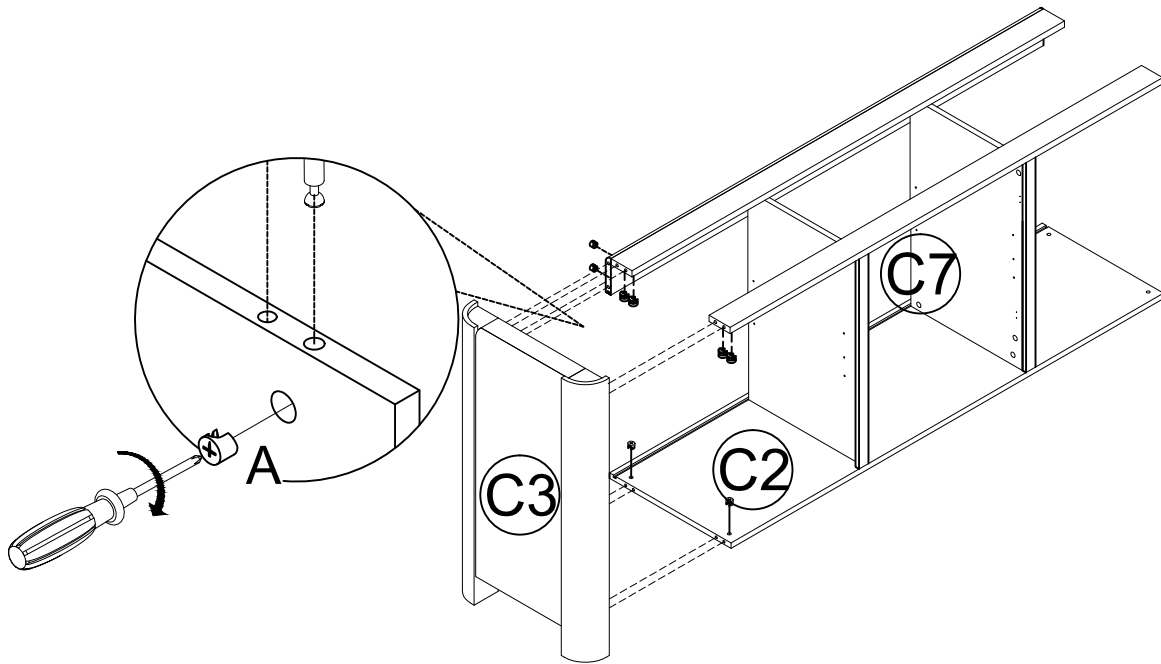
STEP 3: Use Hex Key(O) to attach Leg(C18) to the Bottom Panel(C2)with Bolt(H).



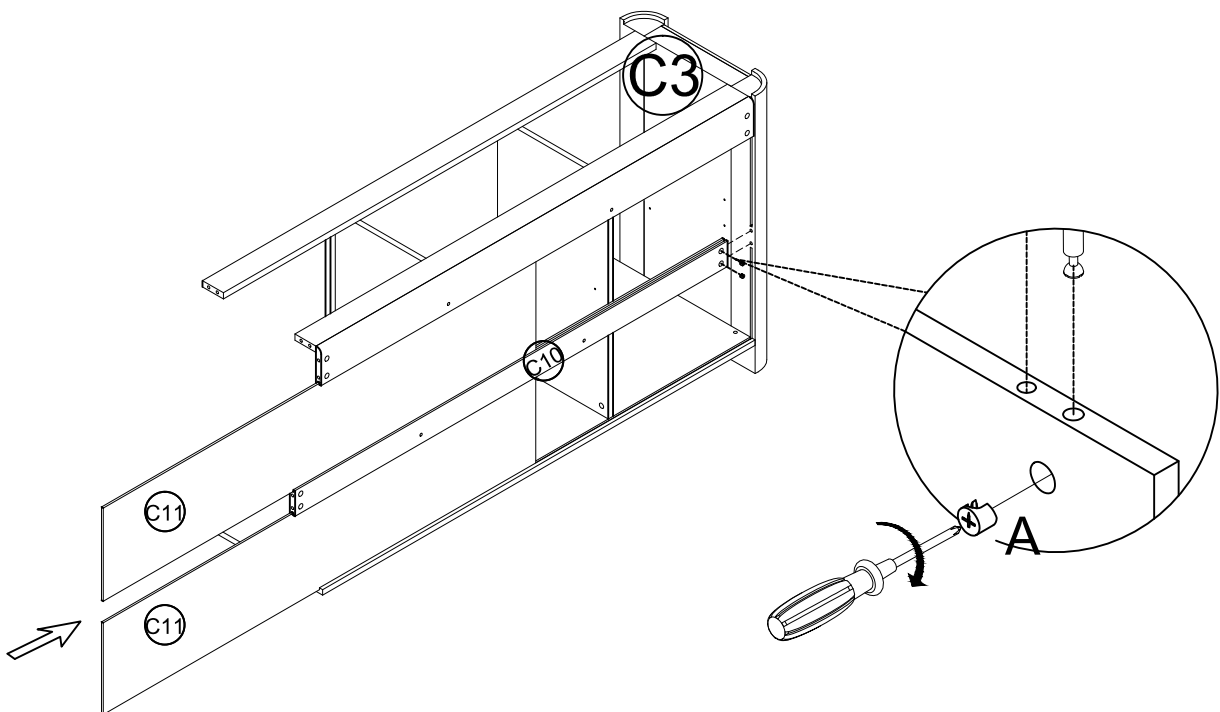
STEP 4: Attach Panel (C5&C6) to Connect Panel (C7) and Bottom Panel (C2). attach Connect Panel (C8) to the Back Rail (C9) and turn Cam lock (A) to lock into the head of Cam Pin (A).



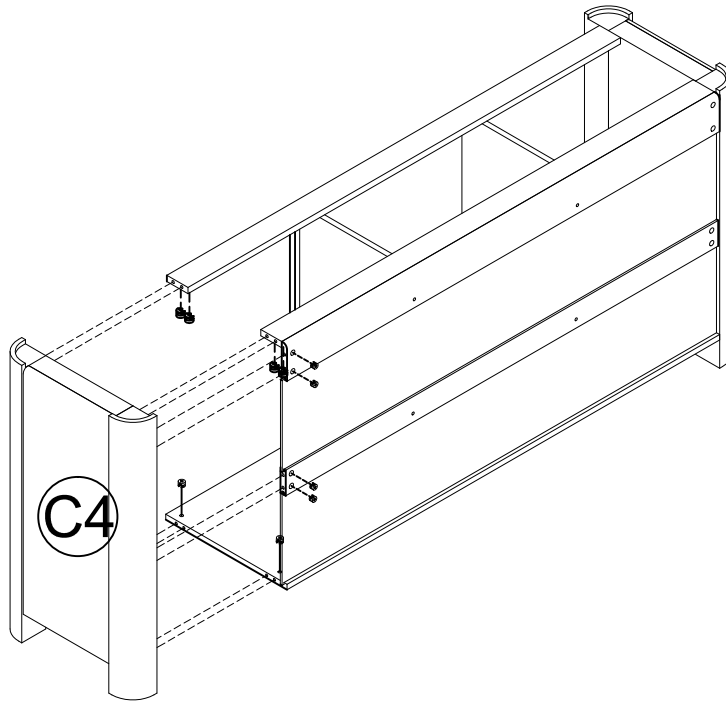
STEP 5: Attach Panel(C7&C8&C9)and Bottom Panel(C2) to Left Side Panel(C3).and turn Cam lock(A)to lock into the head of Cam Pin(A).



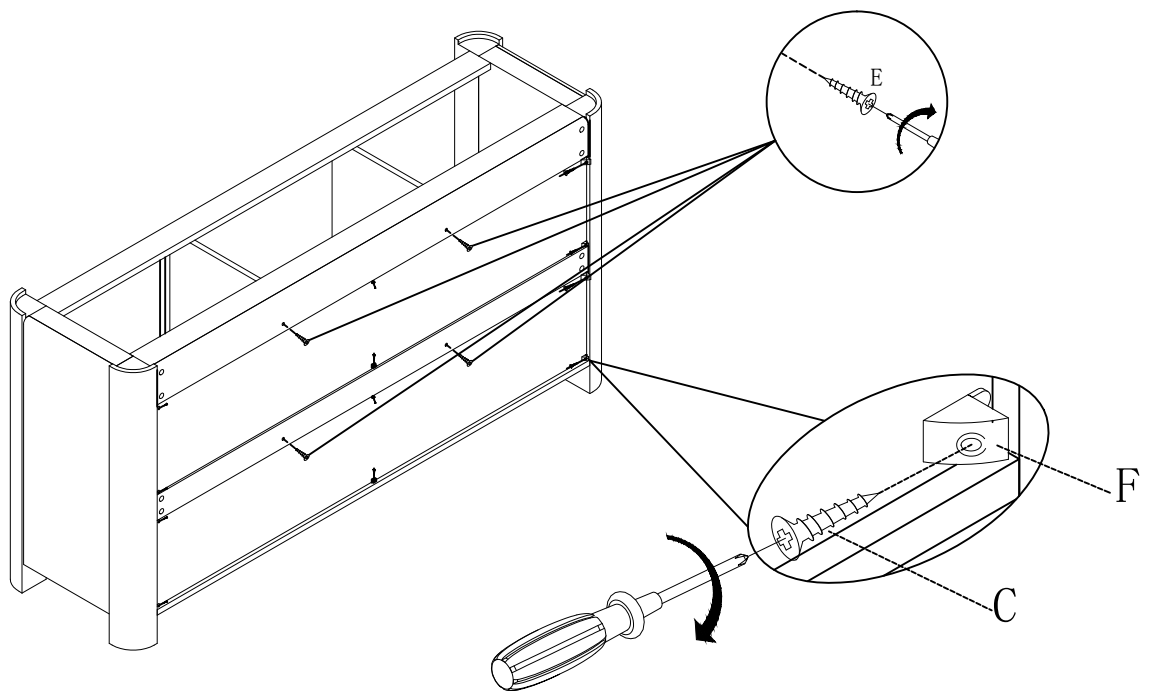
STEP 6: Attach Panel(C10) to Left Side Panel(C3)and turn Cam lock(A)to lock into the head of Cam Pin(A). Insert the Back Panel(C11)to the groove.



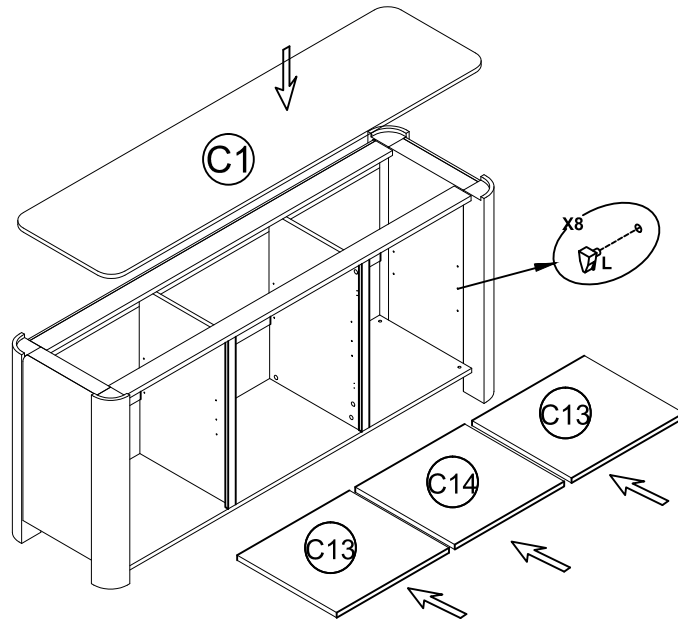
STEP 7: Attach Panel(C7&C8&C9&C10) and Bottom Panel(C2) to Right Side Panel(C4). and turn Cam lock(A) to lock into the head of Cam Pin(A).



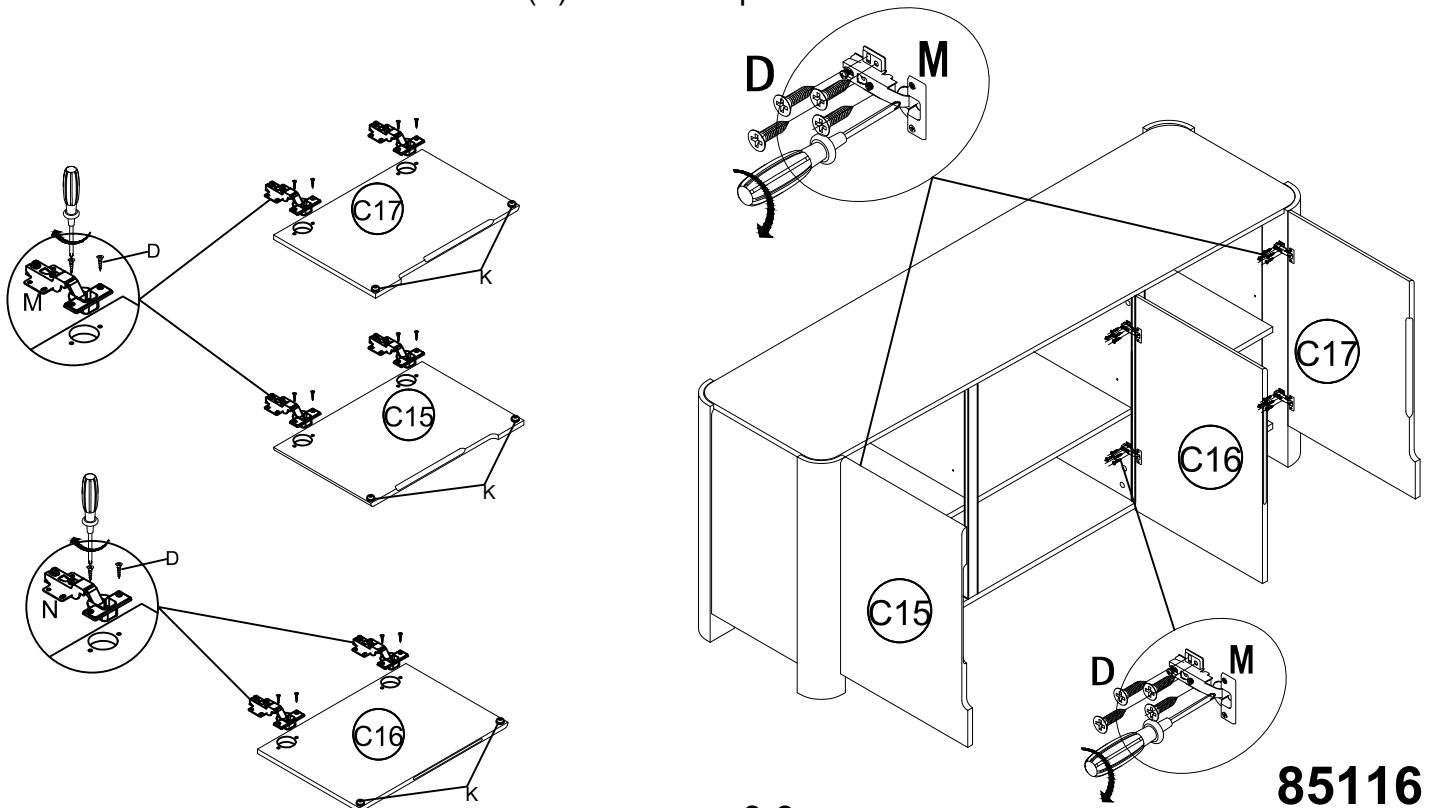
STEP 8: Use Phillips Head Screwdriver to attach Panel(C9&C10) to the Support Panel(C5&C6) with Screw(E). attach the Connector(F) to back with Screw(C).



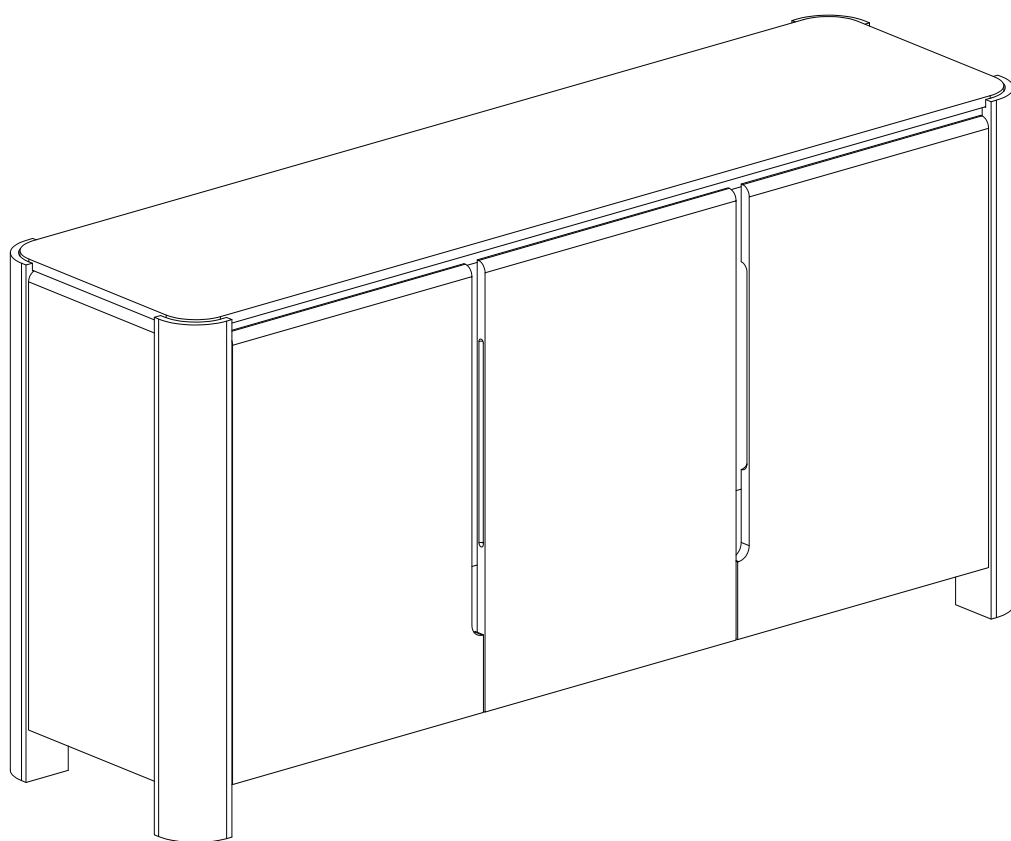
STEP 9: Use Phillips Head Screwdriver to attach the Shelf Supportor(L) to Panel (C3&C4&C5&C6).Insert the Shelf Panel (C13&C14)to the Supportor (L).Put on the Top Panel(C1).



Use Phillips Head Screwdriver to attach the Hinge(M&N) to Door Panel(C15&16&C17)
STEP 10: with Screw(D), Use Phillips Head Screwdriver to attach the Hinge(M&N) to Left Side Panel (C3)&Right Side Panel(C4)and support Panel(C5&C6) with Screw (D).Stick the Anti-collision Sticker(K) to the door panel corner.



Assembly is complete



Note -

Do not drag the furniture as this may cause damage to the legs. Instead, use 2 persons to lift carefully from either end.

SAFETY BRACKETS INSTRUCTIONS

This furniture poses a tipping risk and as such must be secured to a wall using the provided tipping kit.

1. Attach one Mounting Plate to the wall with the Large Screws. Make sure to attach the Mounting Plate into a stud. If mounting into brick or masonry you will need to acquire wall anchors. Please enquire with your local hardware supplier for appropriate fixings.
2. Attach the second Mounting Plate to the furniture frame with the Short Screws.
3. Move the furniture to its final position. Thread a Wall Strap through the both Mounting Plates and tighten until snug. Do not over tighten.
4. Make sure that the Mounting Plates are firmly attached to the wall and furniture and that the Wall Strap is snug.

HARDWARE



Mounting Plate x 2



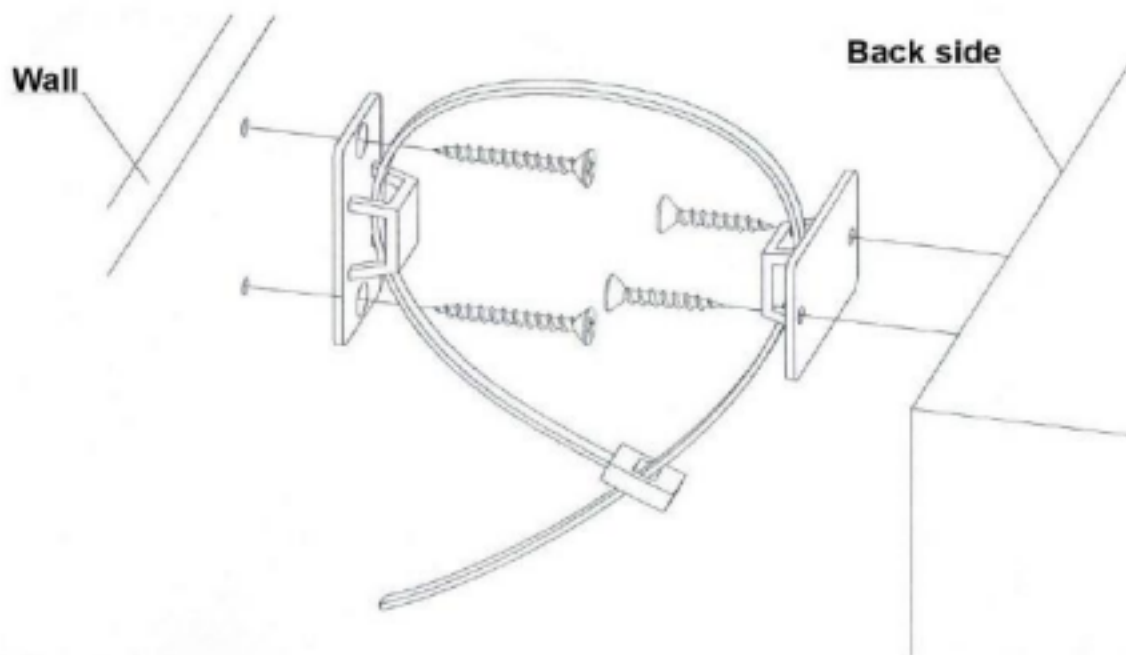
Wall Strap x 1



Large Screw x2



Small Screw x2



Product Care for Sintered Stone Items

Daily Cleaning

•
General Stain Removal: As the surface of sintered stone furniture is non - porous and non - absorbent, for daily cleaning, simply wiping with a soft, damp cloth can remove dust and light stains such as coffee stains and fruit juice stains. For more stubborn stains, a mild detergent can be used. However, avoid using cleaners that contain strong acids, strong alkalis, or abrasive components to prevent damage to the furniture surface.

•Preventing Water Stain Residue: After cleaning, wipe off the water in a timely manner to prevent water stain residue. Because long - term water stains may form water marks on the surface and affect the appearance.

Avoid Scratching and Collision

•
Careful Use: In daily use, avoid using sharp objects such as knives and keys to scratch on the furniture surface, as this may cause scratches. Although sintered stone is relatively wear - resistant, sharp objects can still damage its surface.

•Pay Attention to Moving: When moving furniture, handle it with care and avoid collision with other hard objects. If you need to move heavy sintered stone furniture, it's best to ask professionals for help to prevent accidental collisions during the moving process and damage to the furniture.

Prevent Chemical Corrosion

•
Avoid Contact with Acid - Base Substances: Sintered stone furniture should avoid contact with acidic or alkaline chemicals such as vinegar, lemon juice, and bleach. These substances may react chemically with the stone, causing the surface to discolor, corrode, or be damaged.

•Choose Cleaners Carefully: When choosing a cleaner, carefully check the product ingredients to ensure that it will not damage the sintered stone. If you're not sure whether a cleaner is suitable, you can first conduct a small - area test on an inconspicuous part of the furniture and observe whether there is any adverse reaction before using it.